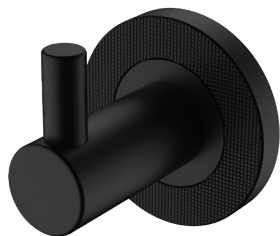
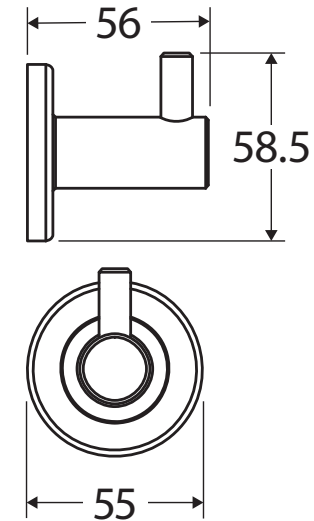
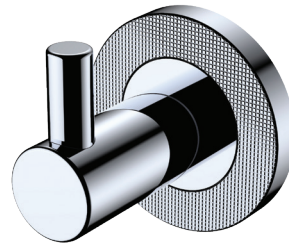


Axle®

ROBE HOOK

Features

- Industrial cross-hatched cover plate
- Super strong 4-point wall mount
- Fully concealed fixings
- Made from zinc and stainless steel
- Hex key used in installation



Available in



Electroplated
Chrome
83104



Electroplated
Matte Black
83104MB



PVD
Brushed Nickel
83104BN



PVD
Gun Metal
83104GM



PVD
Urban Brass
83104UB

Cleaning & Care

- Regularly clean with mild soapy water using a microfibre cloth.
- In highly polluted or coastal locations, we recommend cleaning 2-3 times per week.
- Do not use harsh detergents, bleach, cream cleaners or citrus based cleaners. These substances are abrasive and will damage the surface.
- Do not use undue pressure and wipe in one direction only

We aim to ensure that specifications are correct at the time of publication. All measurements are shown in millimetres. Always use measurements of actual product received for final specification as the technical drawing may contain differences. Due to printing limitations, physical colour may vary from the image shown. Fienza reserves the right to make modifications without prior notice.