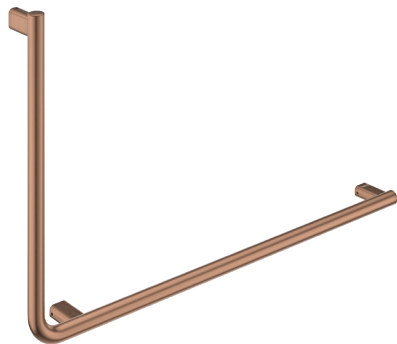
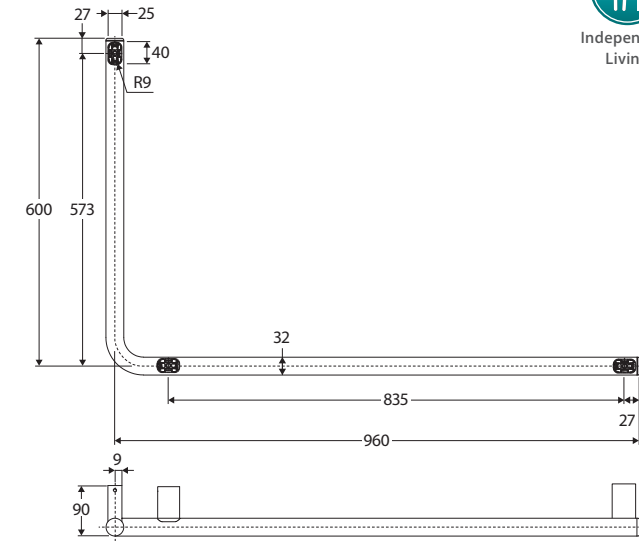
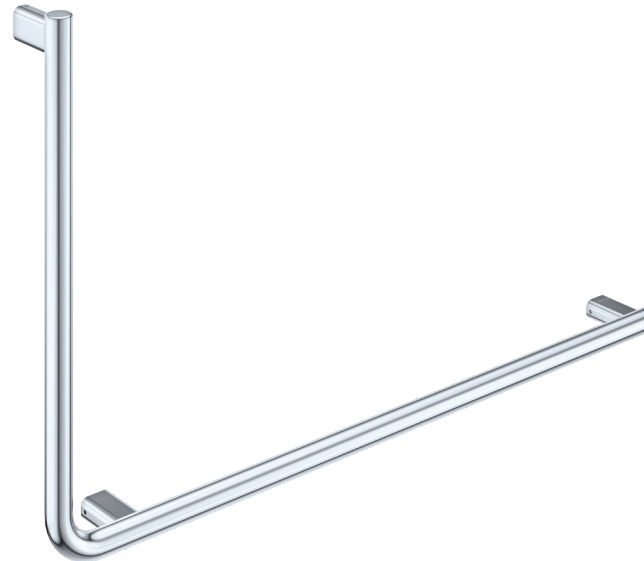


INDEPENDENT LIVING
Care
Slimline
90° RIGHT-HAND
RAIL

Features

- Designed for independent living and aged care
- Made from 304 stainless steel
- Concealed fixings
- Wall mounting screws included

Please Note: Suitable support must be included behind the wall for fixing bolts.



Available in

- | | | |
|---|---|---|
|  |  |  |
| Polished
Stainless Steel
FC8357R | PVD
Matte Black
FC8357RMB | PVD
Brushed Nickel
FC8357RBN |
|  |  |  |
| PVD
Gun Metal
FC8357RGM | PVD
Brushed Copper
FC8357RCO | PVD
Urban Brass
FC8357RUB |

Cleaning & Care

- Regularly clean with mild soapy water using a microfibre cloth.
- In highly polluted or coastal locations, we recommend cleaning 2-3 times per week.
- Do not use harsh detergents, bleach, cream cleaners or citrus based cleaners. These substances are abrasive and will damage the surface.
- Do not use undue pressure and wipe in one direction only.

We aim to ensure that specifications are correct at the time of publication. All measurements are shown in millimetres. Always use measurements of actual product received for final specification as the technical drawing may contain differences. Due to printing limitations, physical colour may vary from the image shown. Fienza reserves the right to make modifications without prior notice.