

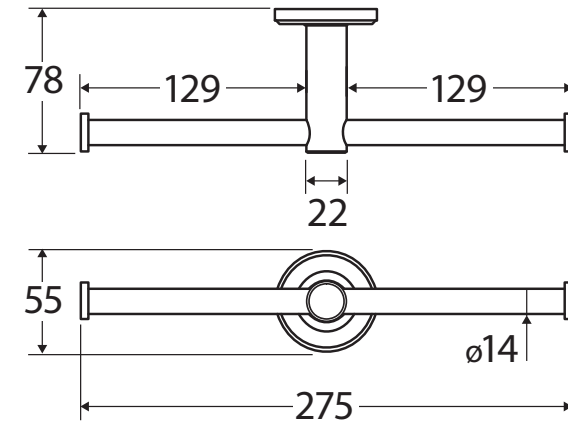
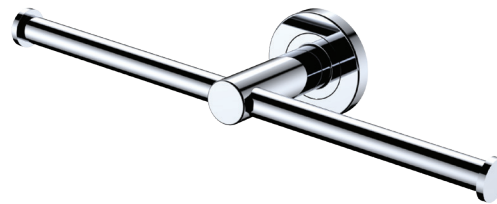
Kaya®

DOUBLE TOILET ROLL HOLDER

Features

- Circular cover plate
- Super strong 4-point wall mount
- One side is removable for mounting cover plate
- Fully concealed fixings
- Made from stainless steel
- Hex key not required for installation

Please Note: These products may have a visible Fienza or Watermark logo.



Available in



Electroplated
Chrome
82809



Electroplated
Matte Black
82809MB



PVD
Brushed Nickel
82809BN



PVD
Gun Metal
82809GM

Cleaning & Care

- Regularly clean with mild soapy water using a microfibre cloth.
- In highly polluted or coastal locations, we recommend cleaning 2-3 times per week.
- Do not use harsh detergents, bleach, cream cleaners or citrus based cleaners. These substances are abrasive and will damage the surface.
- Do not use undue pressure and wipe in one direction only

We aim to ensure that specifications are correct at the time of publication. All measurements are shown in millimetres. Always use measurements of actual product received for final specification as the technical drawing may contain differences. Due to printing limitations, physical colour may vary from the image shown. Fienza reserves the right to make modifications without prior notice.