

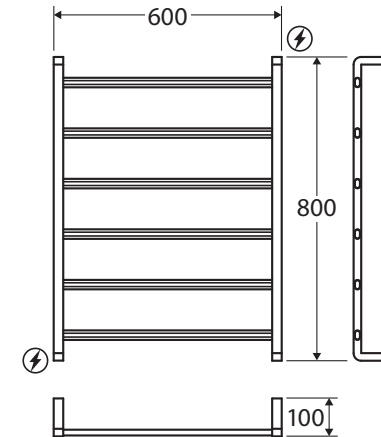
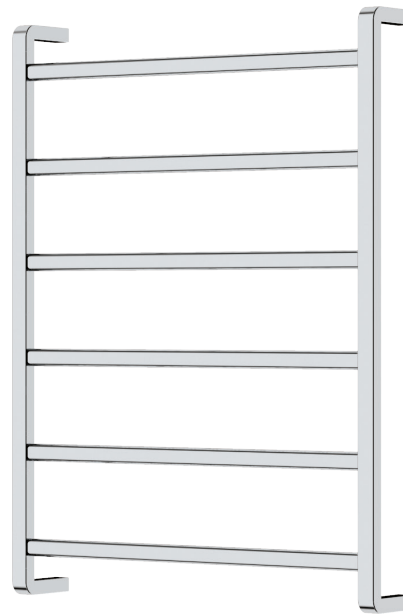
Koko®

HEATED TOWEL RAIL, 600 x 800 MM

Features

- Designed for use in bathrooms
- Heat transfer dries towels faster and more evenly keeping them fresh
- 6 bar ladder rails
- Concealed (hard-wired) wiring installation
- Wiring position at top right or bottom left mounting points
- Surface temperature between 35°C and 60°C
- Made from 304 stainless steel

230V | 72W | IP55 RATING
SAA Approved



⚡ Wiring Positions



Available in



Chrome
8906080



PVD Gun Metal
8906080GM



PVD Urban Brass
8906080UB

Cleaning & Care

- Regularly clean with mild soapy water using a microfibre cloth.
- In highly polluted or coastal locations, we recommend cleaning 2-3 times per week.
- Do not use harsh detergents, bleach, cream cleaners or citrus based cleaners. These substances are abrasive and will damage the surface.
- Do not use undue pressure and wipe in one direction only

We aim to ensure that specifications are correct at the time of publication. All measurements are shown in millimetres. Always use measurements of actual product received for final specification as the technical drawing may contain differences. Due to printing limitations, physical colour may vary from the image shown. Fienza reserves the right to make modifications without prior notice.