

RAK Valet Left-Hand WALL HUNG BASIN

Features

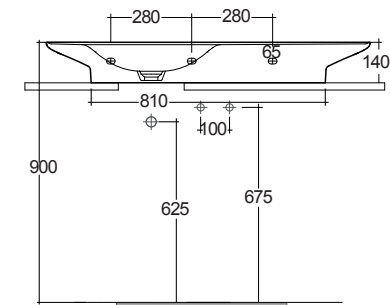
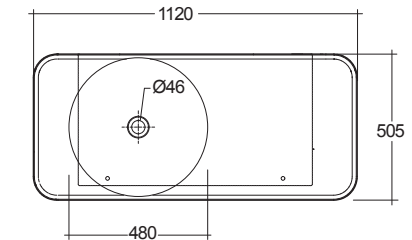
- Vitreous china
- No tap hole or overflow
- Integrated shelf and raised lip to help keep the basin clean
- Requires 32 mm non-overflow waste (not included; only compatible with WAS72 metal cap wastes)
- Weight: 34kg



RAK
CERAMICS



Made in UAE



Available in



Alpine Gloss White
RKB1120L



Matte White
RKB1120LMW

Cleaning & Care

- Wipe with a clean, soft cloth and mild soapy water or non-abrasive bathroom cleaner. Test in an inconspicuous area before cleaning the whole basin.
- Avoid placing hot objects, such as hair straighteners, on any surface as these will cause discolouration and marking.
- Spills of hair dye, after-shave lotion, nail polish and remover, aerosol spray and other harsh chemicals should be removed immediately to prevent damage and discolouration. Clean immediately with mild soapy water using a clean, soft cloth.

We aim to ensure that specifications are correct at the time of publication. All measurements are shown in millimetres. For ceramic products, please allow +/- 10 mm tolerance for manufacturing variance. Always use measurements of actual product received for final specification as the technical drawing may contain differences. Due to printing limitations, physical colour may vary from the image shown. Fienza reserves the right to make modifications without prior notice.