

ISABELLA

Multifunction Half-Rail Shower

434104

- Chrome finish
- Integrated water inlet & diverter
- WELS 3 star rated (9L/m)
- Female 1/2 BSP inlet

FIXED ARM:

- Brass construction
- Optional extra rail support bracket included

OVERHEAD included:

- STARRY 200mm rain head (411-108)
- Stainless steel construction

HAND HELD included:

- MICHELLE 5 function head (MSH017)
- ABS construction



BEFORE INSTALLATION:

CHECK PRODUCT THOROUGHLY. INSTALLATION OF FAULTY OR DAMAGED GOODS WILL VOID WARRANTY.



Technical Specifications:

Operating Pressure:

Min: 150kPa/1.5bar

Max: 500kPa/5.0bar*

Optimum: 150kPa/1.5bar - 500kPa/5bar

Recommended installation of pressure limiting valve if supply exceeds 500kPa

Operating Temperature:

Hot: Max 80°C*

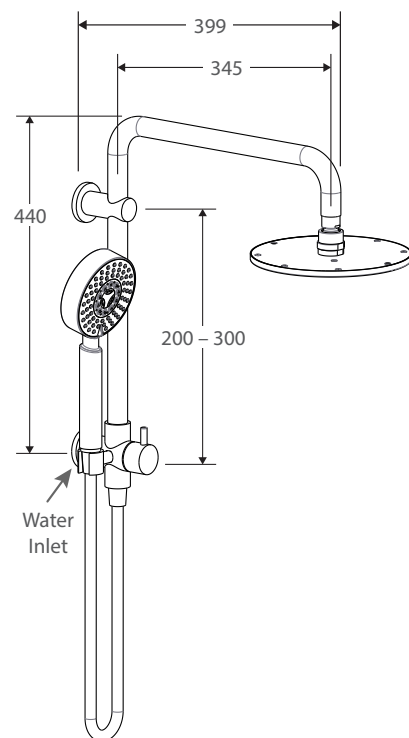
Cold: Min 5°C

Inlet Connections:

All 1/2" BSP

NOTE:

- After installation all connections must be checked for leaks
- All installations must be carried out in compliance with relevant water regulations*.



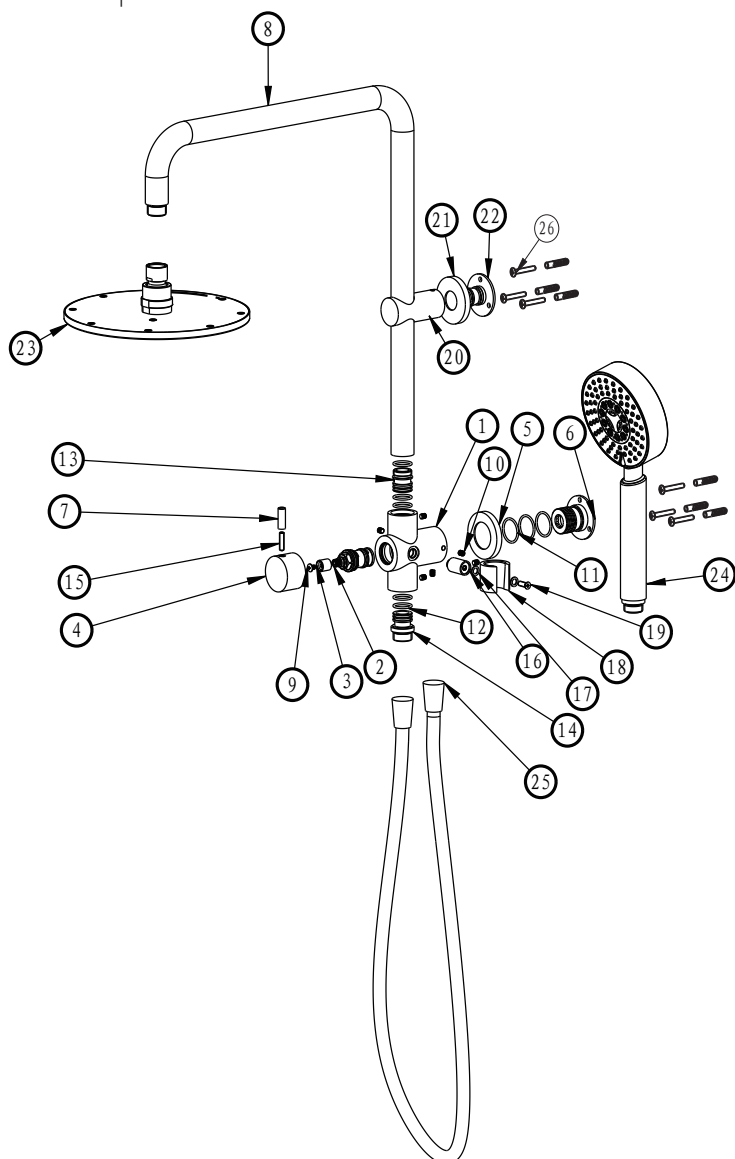
ISABELLA Multifunction Half-Rail Shower

434104

PZMF0126-00

Important Installation Considerations

1. NOTE: Some showers may not provide an effective shower when used with gravity fed heated water systems or where pressures are less than 150kPa at the outlet. Additionally showers with flow rates of less than 9L/min may not allow the following to function correctly:
 - _ some instantaneous water heaters
 - _ some tempering valves
 - _ some thermostatic mixing valves
2. Some shower heads only operate correctly when hot and cold water supplies are both mains pressure and may not be suitable for some instantaneous hot water services.
3. When water pressure is in excess of 500kPa a pressure limiting device is required



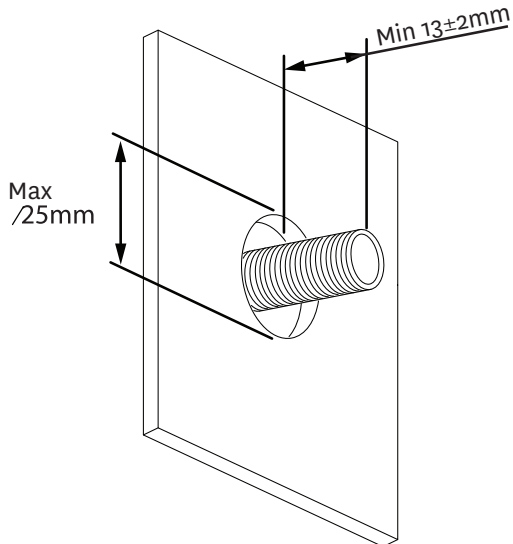
NO.	Part Name	Qty
26	Parts	2
25	1.5M SS Hose	1
24	Handset	1
23	Shower head	1
22	Fixing Plate	1
21	Flange	1
20	Fixing base	1
19	M5 Screw	1
18	Sliding fixing base	1
17	Wearing ring	2
16	Connector	1
15	M5x20 Screw	1
14	G1/2 Connector	1
13	Connector	1
12	φ 21x2mm O Ring	5
11	φ 27x2mm O Ring	3
10	M5x6 Screw	6
9	M4x7 Screw	1
8	Arm	1
7	Round handle Rod	1
6	Fixing Plate	1
5	Flange	1
4	Brass Handle	1
3	Connector	1
2	90° Diverter Cartridge	1
1	Diverter Body	1
NO.	Part Name	Qty

ISABELLA Multifunction Half-Rail Shower

434104

1.

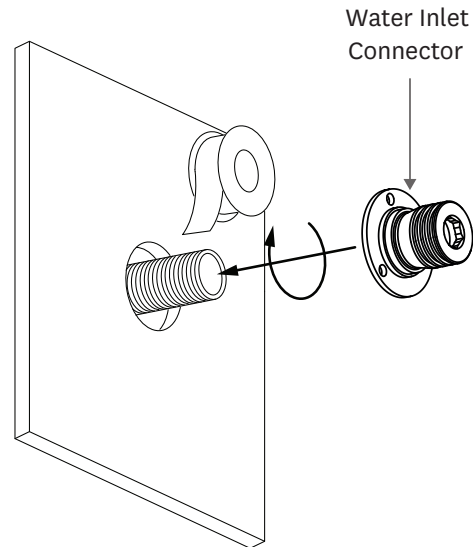
WATER INLET: RECOMMENDED MINIMUM HEIGHT OF 1800mm FROM FLOOR LEVEL



Install a ½" male threaded connection at the recommended height on wall, ensuring that a minimum of 13±2mm of thread protrudes past the finished wall.

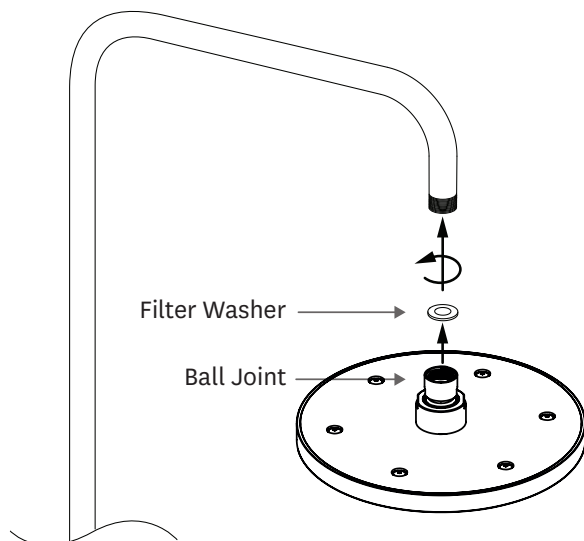
Correct water proofing must be applied.

2.



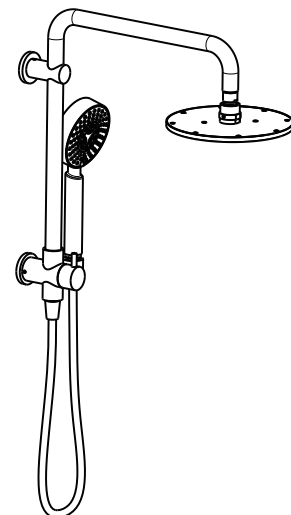
Apply thread tape (or similar) to the ½" connection, then screw the top rail connector to the connection.

5.



Remove the protective cap from the showerhead ball joint and screw the unit onto the overhead arm ensuring the filter washer is in place. This arm is not adjustable.

6.

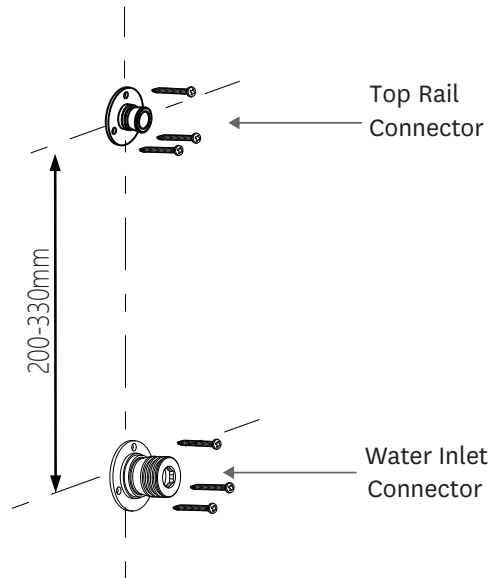


Make sure a washer is in both ends of the hose. Screw hose onto lower outlet on rail, attach handset and place firmly in holder. Tilt and rotate head to the desired position.

ISABELLA Multifunction Half-Rail Shower

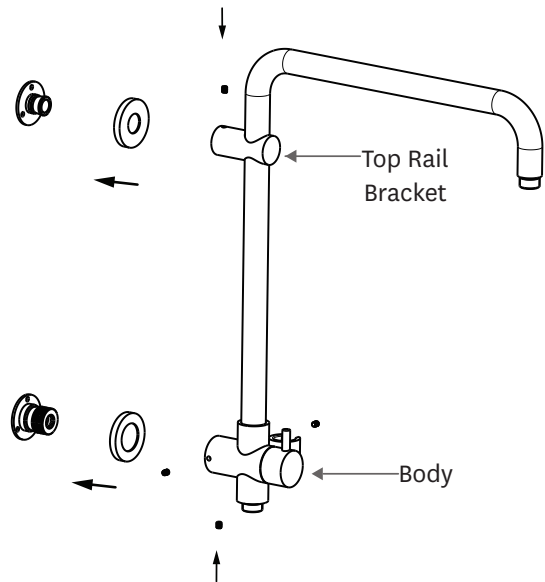
434104

3.



Screw the bottom rail connector to a wall stud making sure it is vertically in line with the top rail connector. Maximum centre distance between the top and bottom shower connections is 330mm.

4.

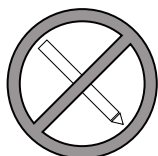


Check the grub screws are woundtoun. Push the body onto the top rail connectors until it is gainst wall. Secure with grub screws.

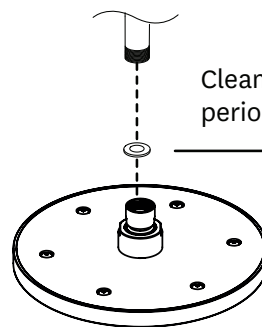
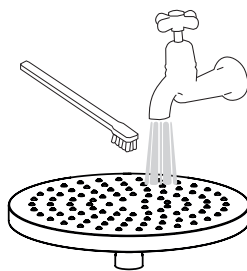
CLEANING

Water contains lime which remains on the surface after the water has evaporated. These lime deposits can be prevented from forming by wiping immediately after use.

To clean the chrome-plated surfaces use a soft cloth, soap and warm water. Never use cleaning agents that contain a corrosive acid or a scouring additive.



Do not use any sharp objects to clean nozzles



Clean filter washer periodically.

