

# R&T

## In-Wall Cistern for wall-faced pans

### G30032

- Suits wall-faced pans
- Operating pressure 10-1000 kpa
- Fits 90 mm stud wall
- HDPE one-piece tank
- WELS 4 Star rated, 4.5L/3L (3.3L average flush)



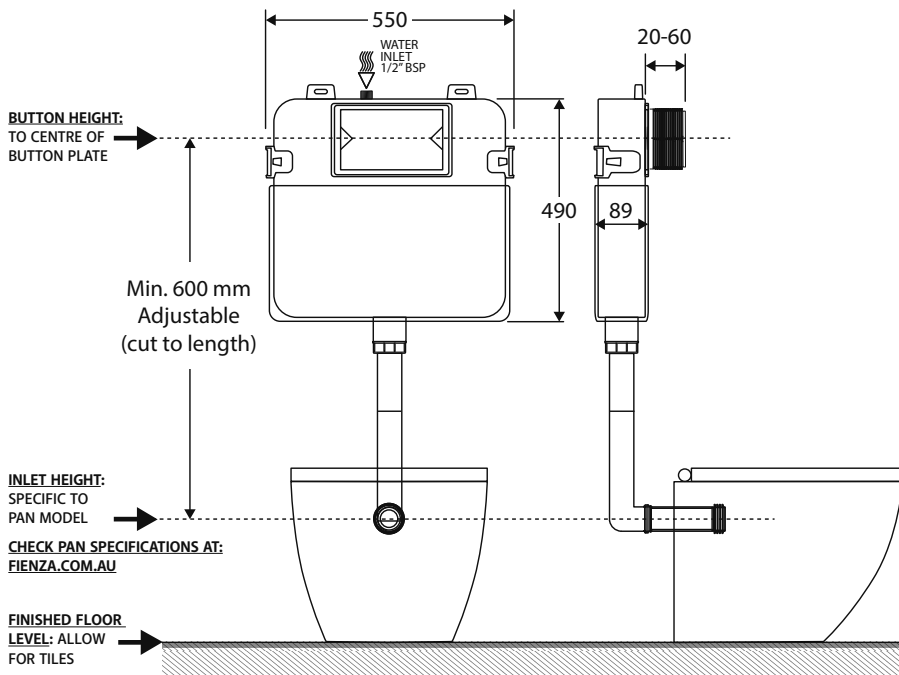
**CHECK GOODS THOROUGHLY BEFORE INSTALLATION**

Installation of received goods that are damaged, warped or faulty will void warranty. Ensure all items meet your plumbing requirements.



**PLEASE LEAVE THIS GUIDE WITH THE OWNER**

**R&T®**



All installations should be carried out by a qualified tradesman in compliance with the National Plumbing & Drainage Code and any State or Local Authority Regulations, in accordance with AS/NZS 3500 series of standards and AS/NZA 6400. All measurements are in millimetres and are subject to change without notice. For ceramic products, please allow +/- 10 mm tolerance for manufacturing variance. Please refer to [fienza.com.au](http://fienza.com.au) for the latest product specification.

**Cistern Installation**

1. Choose your pan model and check dimensions.  
Visit [fienza.com.au](http://fienza.com.au) for pan inlet height.
2. Start at finished floor level (including height of final floor covering).
3. Mark pan inlet height specific to your chosen model.
4. Measure and mark desired button height (to centre of button plate).
5. Adjust down pipe lengths as required to achieve desired button height.



**WARNING**

Do not use chlorine/chemical sanitisers in the cistern tank. Such use may result in damage to tank components and will void the product warranty.

**Timber Mounting Frame**

**BUTTON HEIGHT:**  
TO CENTRE OF  
BUTTON PLATE



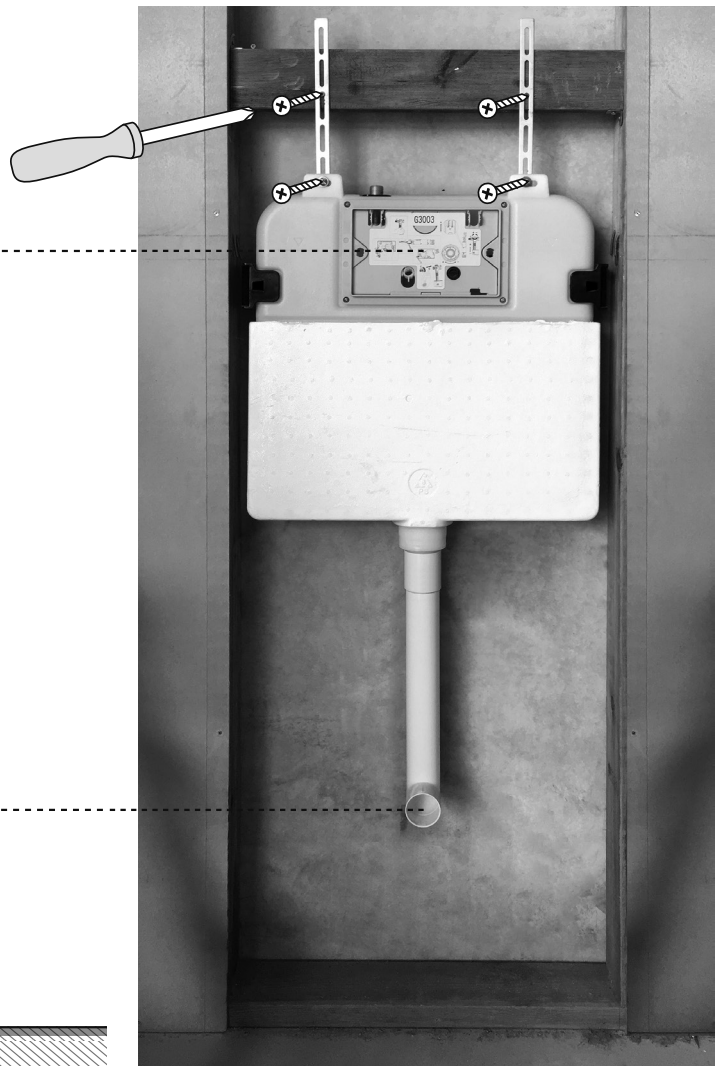
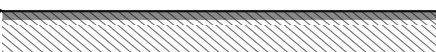
Min. 600 mm  
Adjustable  
(cut to length)

**INLET HEIGHT:**  
SPECIFIC TO  
PAN MODEL



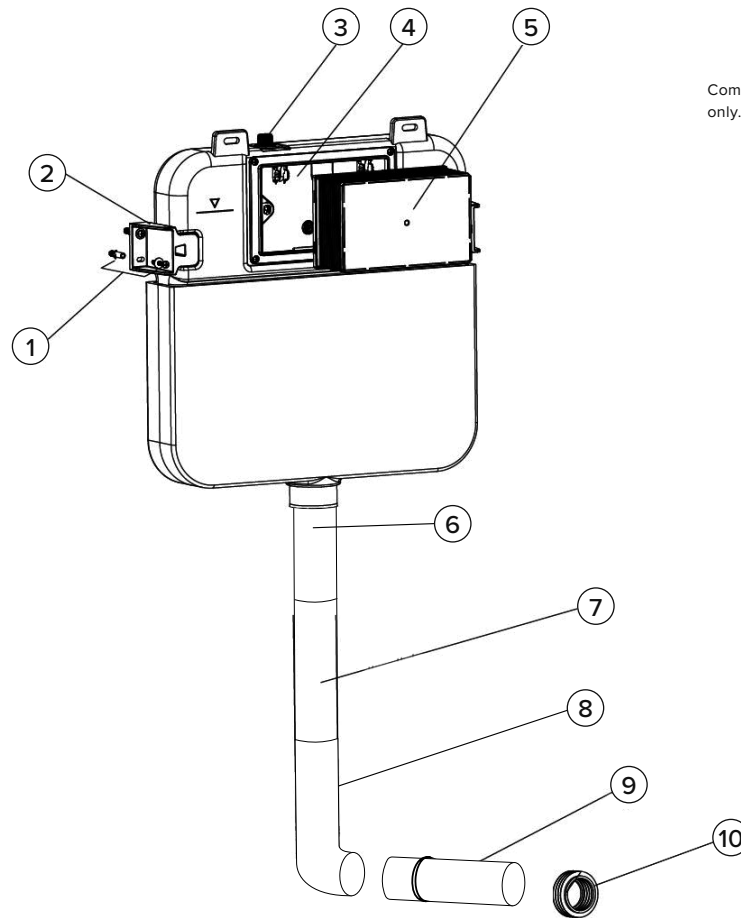
**CHECK PAN SPECIFICATIONS AT:**  
[FIENZA.COM.AU](http://FIENZA.COM.AU)

**FINISHED FLOOR  
LEVEL: ALLOW  
FOR TILES**



All installations should be carried out by a qualified tradesman in compliance with the National Plumbing & Drainage Code and any State or Local Authority Regulations, in accordance with AS/NZS 3500 series of standards and AS/NZA 6400. All measurements are in millimetres and are subject to change without notice. For ceramic products, please allow +/- 10 mm tolerance for manufacturing variance. Please refer to [fienza.com.au](http://fienza.com.au) for the latest product specification.

Installation Components



Compatible with R&T flush plates only.

	Description	Function
1	4 x Expansion Screw	Fixing cistern onto brick cavity wall (not required for stud wall)
2	2 x Cistern Fixing Clip	Fixing cistern onto brick cavity wall (not required for stud wall)
3	Angle Valve	Fill inlet valve and shut-off
4	Cistern Cover	Airproof tank and mounting of locking bracket
5	Plastic Holder	To reserve space for installation of actuator at time of wall construction To prevent dust and impurities from entering into tank during wall construction
6	Connector Pipe	Joins cistern to down pipe
7	Straight Down Pipe	Joins cistern and ceramic pan (can be cut to desired height)
8	Angled Down Pipe	Joins cistern and ceramic pan
9	Straight Pipe	Cut according to wall thickness (joins cistern and ceramic pan)
10	Kee Seal	Joins cistern and ceramic pan

All installations should be carried out by a qualified tradesman in compliance with the National Plumbing & Drainage Code and any State or Local Authority Regulations, in accordance with AS/NZS 3500 series of standards and AS/NZA 6400. All measurements are in millimetres and are subject to change without notice. For ceramic products, please allow +/- 10 mm tolerance for manufacturing variance. Please refer to [fienza.com.au](http://fienza.com.au) for the latest product specification.

## Warranties

### Residential Warranty Periods

Applies to domestic uses and applications of Fienza® products, such as private dwellings and retirement villages.

### Commercial Warranty Periods

Applies to commercial uses and applications of Fienza® products, including, but not limited to: commercial food premises such as restaurants; commercial accommodation such as hotels; hospitals and healthcare facilities; public amenities; and industrial, laboratory and manufacturing facilities.

TOILETS*		
Range	Residential	Commercial
R&T Cisterns (Tanks & Frames)	5 years replacement parts or product, 1 year labour	5 years replacement parts or product, 1 year labour
R&T Cisterns (Valves)	3 years replacement parts or product, 1 year labour	1 year replacement parts or product, 1 year labour
R&T Flush Button Plates	2 years replacement parts or product	1 year replacement parts or product

\*Excludes parts subject to wear and tear such as rubber seals.

### Warranty Conditions

- Installation has been carried out by a licensed tradesperson in accordance with all applicable Building, Plumbing and Electrical codes, and Federal, State, or Local Government Regulations in accordance with AS/NZS 3500 Plumbing & Drainage, AS/NZS 6400:2016 Water Efficient Products, and AS/NZS 3000:2007 Electrical standards for any installations to which these standards apply.
- All maintenance and adjustments to the product after the installation have been carried out by a licensed tradesperson.
- All care and cleaning instructions have been adhered to as prescribed.
- All goods of substandard quality manufacture (excluding imperfections permitted within AS1976 - Vitreous China used in Sanitary Applications) will be credited or replaced by Fienza when advised within the warranty period, subject to prior inspection and agreement.
- Proof of purchase is required for warranty claims.

### Warranty Limitations

To the extent permitted under the Trade Practices Act and other relevant legislation, Fienza's liability is limited to:

- The cost of replacing the goods, or
- The cost of obtaining equivalent goods, or
- The cost of having the goods repaired.
- Fienza is not responsible for any lack of operation or performance of goods (or any loss or damage) where goods are used or adapted for use with other goods not supplied by Fienza.
- It is the responsibility of the customer and installer before installation to ensure that all components are correct and free of obvious visible faults.
- Fienza is not responsible for the labour and rectification costs incurred in the above circumstance.

### Conditions for On-Site Warranty Service Calls

Fienza will charge a service fee for each visit to an installation by its technician where it is determined that the fault is due to poorly executed or unlicensed installation work or where the product is not a genuine Fienza product or where the product is outside the warranty period. This may be paid in advance by credit card over the phone to a Fienza technician attending the site and will be refunded if the Fienza product is found to be at fault.

For warranty support, please contact Fienza

15 Walter Cres, Lawnton QLD 4501 PO Box 5381, Brendale QLD 4500  
**P** 07 3490 6700 **F** 07 3490 6719 **E** help@fienza.com.au ABN 76 136 411 311



All installations should be carried out by a qualified tradesman in compliance with the National Plumbing & Drainage Code and any State or Local Authority Regulations, in accordance with AS/NZS 3500 series of standards and AS/NZS 6400. All measurements are in millimetres and are subject to change without notice. For ceramic products, please allow +/- 10 mm tolerance for manufacturing variance. Please refer to [fienza.com.au](http://fienza.com.au) for the latest product specification.