

Warranties

Residential: Applies to domestic uses and applications of Fienza® products, such as private dwellings and retirement villages.

Commercial: Applies to commercial uses and applications of Fienza® products, including, but not limited to: commercial food premises such as restaurants; commercial accommodation such as hotels; hospitals and healthcare facilities; public amenities; and industrial, laboratory and manufacturing facilities.

Product Component	Residential	Commercial
Ceramic Disc Cartridges	LIFETIME replacement parts or product, 15 years labour	15 years replacement parts or product, 5 years labour
Mixer (Structure Only)	LIFETIME replacement parts or product, 1 year labour	7 years replacement parts or product, 1 year labour
Finishes - Chrome	LIFETIME replacement parts or product, 1 year labour	7 years replacement parts or product, 1 year labour
Finishes - PVD	10 years replacement parts or product, 1 year labour	1 year replacement parts or product, 1 year labour
Finishes - Electroplated	5 years replacement parts or product, 1 year labour	1 year replacement parts or product, 1 year labour
Accessories & Spare Parts	1 year replacement parts or product	1 year replacement parts or product

NOTE: Excludes parts subject to general wear and tear such as O-rings, washers and jumper valves.

Warranty Conditions

- Installation has been carried out by a licensed tradesperson in accordance with AS/NZS 3500 and all applicable local regulations and plumbing codes.
- All maintenance and adjustments to the product after the installation have been carried out by a licensed tradesperson.
- All care and cleaning instructions have been adhered to as prescribed.
- Proof of purchase is required for warranty claims.

Warranty Limitations

To the extent permitted under the Trade Practices Act and other relevant legislation, Fienza's liability is limited to: the cost of replacing the goods; or, the cost of obtaining equivalent goods; or, the cost of having the goods repaired. Fienza is not responsible for any lack of operation or performance of goods (or any loss or damage) where goods are used or adapted for use with other goods not supplied by Fienza. It is the responsibility of the customer and installer before installation to ensure that all components are correct and free of obvious visible faults. Fienza is not responsible for the labour and rectification costs incurred in the above circumstance.

Conditions for On-Site Warranty Service Calls

Fienza will charge a service fee for each visit to an installation by its technician where it is determined that the fault is due to poorly executed or unlicensed installation work or where the product is not a genuine Fienza product or where the product is outside the warranty period. This may be paid in advance by credit card over the phone to a Fienza technician attending the site and will be refunded if the Fienza product is found to be at fault.

PLEASE LEAVE THIS MANUAL WITH THE END USER

For more information, contact us or visit our website:
(07) 3490 6700 | help@fienza.com.au | fienza.com.au

Updated: 12/06/2025

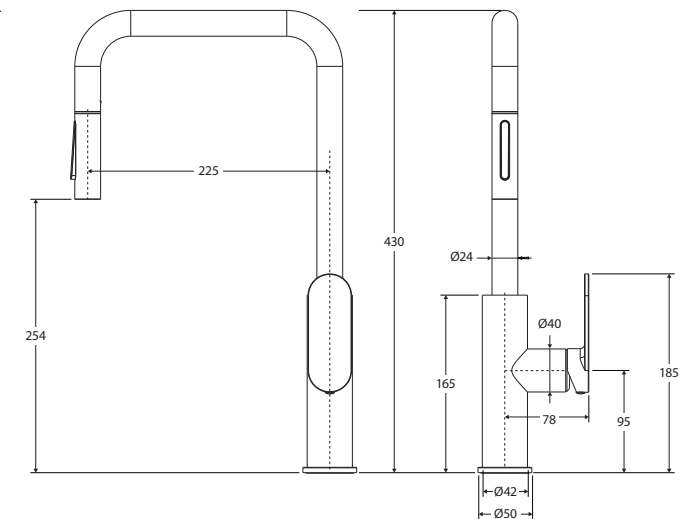
fienza®

INSTALLATION GUIDE

Empire Slim

PULL-OUT SQUARE SINK MIXER

234108-LF



IMPORTANT: Please read all of the instructions before installation. Check goods thoroughly before installation. Installation of received goods that are damaged, warped or faulty will void warranty. Ensure all items meet your plumbing requirements. This product is pre-assembled. Do not disassemble, as this may void the warranty.

Watermark Scope of Use

- This product must be installed by a qualified licensed plumber in accordance with the National Construction Code Volume Three, AS/NZS 3500 and all applicable local regulations and plumbing codes.
- The product is intended for residential and commercial indoor use only.
- This product meets the lead free requirements of AS/NZS 4020 and Watermark licensing requirements.
- All pipe work must be thoroughly flushed prior to installation.
- Do not remove the ceramic cartridge from the mixer when installing.
- After installation all hoses and connections must be checked for leaks.
- It is the responsibility of the installer to ensure a waterproof seal is achieved between the product and mounting surface.
- The flow controller incorporated in the outlet must be re-tightened to prevent removal by hand.
- See below specifications for minimum and maximum operating pressures and temperature and other installation requirements.

Specifications

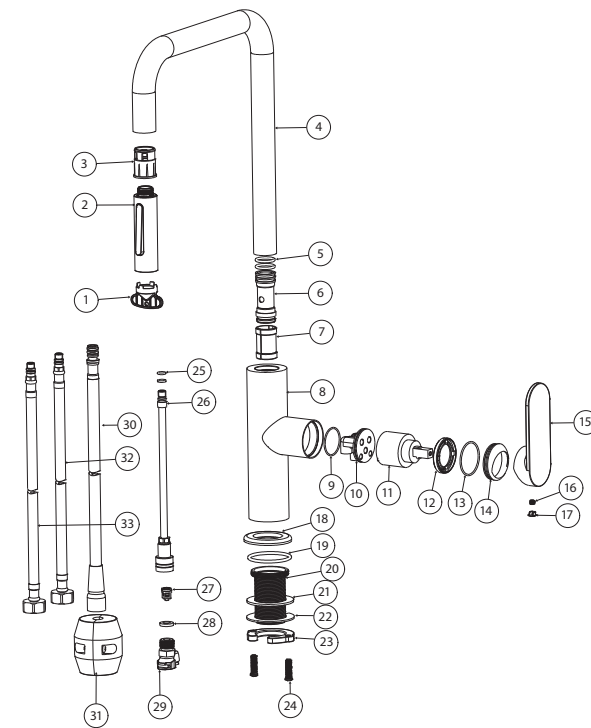
Please refer to fienza.com.au for the latest product specifications before installing.

Mixer Type	35 mm cartridge
Operating Pressure	Min: 150 kPa / 1.5 bar Max: 500 kPa / 5 bar Optimum: 350 kPa / 3.5 bar
Operating Temperature	Hot: Max 80°C Cold: Min. 5°C
Inlet Connections	1/2" BSPP
Suitable Hot Water Units	Storage tank and continuous flow only. Not suitable for gravity feed.
WELS Rating	WELS 6 Star rated, 4.5L/min

Installation

IMPORTANT: Before commencing installation, turn off the water supply. While not essential, we recommend fitting isolation valves to both the hot and cold-water supply.

- Remove product from packaging and check for damages. If the product is damaged in any way, do not install and return to the store where the item was purchased.
- The mounting surface requires a single 35 mm diameter hole.
- Unscrew the mounting stud assembly (20, 21, 22, 23, 24) and slide over the male end of the two flexible inlet hoses (32 and 33). Ensure the mounting stud assembly remains upright.
- Ensure the O-ring (19) is tightly inserted into the base (18).
- Place the mixer body (8) into the mounting surface hole.
- From underneath the mounting surface, screw in the two flexible inlet hoses (32 and 33): red ringed hose on the left and blue ringed hose on the right (to match hot and cold tap markings). Ensure the O-rings are greased and tighten with a spanner.
- Screw the mounting stud (20, 21, and 22) into the base of the mixer body (8).
- Screw the brass mounting nut (23) by hand to secure the mixer in position.
- Position the mixer into its final position as desired.
- Tighten the mounting screws (24) with a screwdriver to securely mount the mixer to the top.
- Connect the 1/2" BSP female end of the flexible hoses to the supplies: red ringed hose to the hot water supply and blue ringed hose to the cold water supply.
- Fit the handle (15) onto the top of the cartridge (11).
- Use the allen key provided and screw the hex screw into the back of the handle to secure. Fit the hole cap (17).
- Turn on the water supply and check carefully for leaks. Re-tighten fittings if necessary.



1	Aerator Key	12	Lock Nut	23	Nut
2	Spray Head	13	O-Ring	24	Screw
3	Sleeve	14	Dome Cap	25	O-Ring
4	Tube	15	Handle	26	Copper Pipe
5	O-Ring	16	Screw	27	Check Valve
6	Adapter	17	Hole Cap	28	Gasket
7	Locating Ring	18	Base Ring	29	Quick Connector
8	Body	19	O-Ring	30	180cm Pull Out Hose
9	O-Ring	20	Mounting Stud	31	Gravity Ball
10	Cartridge Seat	21	Gasket	32	Flexible Hose (Red)
11	Cartridge	22	Washer	33	Flexible Hose (Blue)

Cleaning & Care

We recommend weekly cleaning with mild soapy water and a microfiber cloth. In highly polluted or coastal locations we recommend cleaning 2-3 times per week. Please note that colour tapware requires more frequent cleaning than chrome tapware.

- Never use harsh detergents, citrus-based cleaners or abrasive cleaners, as these will scratch the surface. Use of unsuitable cleaners may damage the surface and will not be covered by warranty.
- Where your tapware remains dry in use, a non-abrasive soft cloth can be used to remove surface dust.
- Use of wax-based furniture cream should be avoided as these can result in a build-up of deposits which could detract from the appearance.
- Do not use undue pressure and wipe in one direction only.