

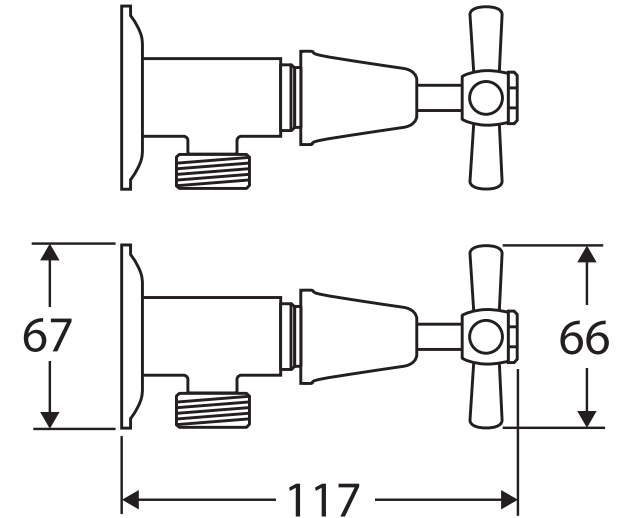
Houston

WASHING MACHINE ASSEMBLIES

Features

- Made from solid brass
- Jumper valve
- Set of washing machine tap assemblies
- WELS rating not required

Please note: This product may have a visible Fienza or Watermark logo.



Available in



Chrome
331105

Cleaning & Care

- Regularly clean with mild soapy water using a microfibre cloth.
- In highly polluted or coastal locations, we recommend cleaning 2-3 times per week.
- Do not use harsh detergents, bleach, cream cleaners or citrus based cleaners. These substances are abrasive and will damage the surface.
- Do not use undue pressure and wipe in one direction only.



We aim to ensure that specifications are correct at the time of publication. All measurements are shown in millimetres. Always use measurements of actual product received for final specification as the technical drawing may contain differences. Due to printing limitations, physical colour may vary from the image shown. Fienza reserves the right to make modifications without prior notice.