

Koko®

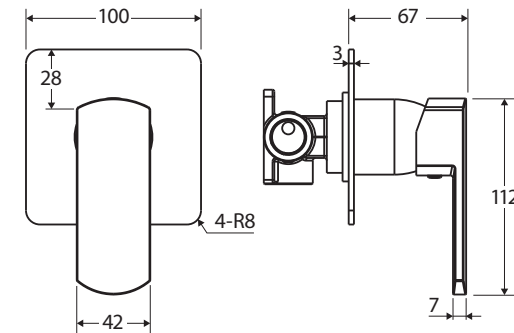
WALL MIXER

Features

- Sleek soft-square design
- Designed for shower and bath
- Made from zinc alloy and stainless steel*
- Quality European cartridge (35 mm)

*Defined as containing less than 0.25% lead

Please note: This product may have a visible Fienza or Watermark logo.



Lead Free*



Available in



Electroplated
Chrome
218101-LF



Electroplated
Matte Black
218101B-LF



PVD
Brushed Nickel
218101BN-LF



PVD
Urban Brass
218101UB-LF

Cleaning & Care

- Regularly clean with mild soapy water using a microfibre cloth.
- In highly polluted or coastal locations, we recommend cleaning 2-3 times per week.
- Do not use harsh detergents, bleach, cream cleaners or citrus based cleaners. These substances are abrasive and will damage the surface.
- Do not use undue pressure and wipe in one direction only.



We aim to ensure that specifications are correct at the time of publication. All measurements are shown in millimetres. Always use measurements of actual product received for final specification as the technical drawing may contain differences. Due to printing limitations, physical colour may vary from the image shown. Fienza reserves the right to make modifications without prior notice.