

Sansa®
WALL DIVERTER
MIXER
RECTANGULAR PLATE

Features

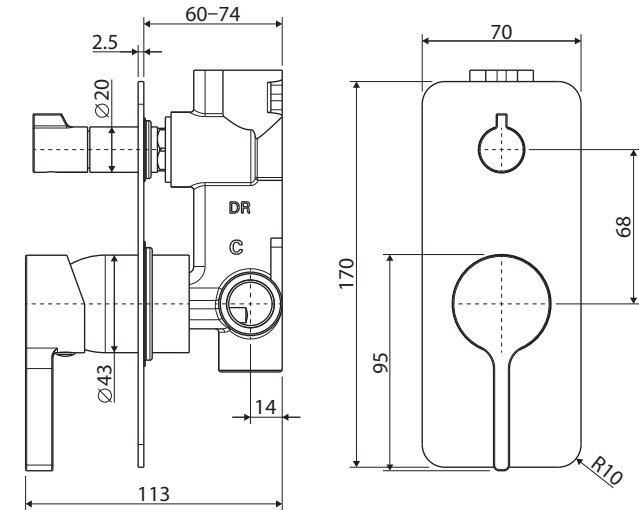
- Soft rectangular handle design
- Designed for shower and bath
- Made from stainless steel and lead-free brass*
- High quality European cartridge (35 mm)

Please note: This product may have a visible Fienza or Watermark logo.

*Defined as containing less than 0.25% lead.



Lead Free*



Available in



Electroplated
Chrome
229102-2-LF



Electroplated
Matte Black
229102B-2-LF



PVD
Brushed Nickel
229102BN-2-LF



PVD
Gun Metal
229102GM-2-LF



PVD
Urban Brass
229102UB-2-LF

Cleaning & Care

- Regularly clean with mild soapy water using a microfibre cloth.
- In highly polluted or coastal locations, we recommend cleaning 2-3 times per week.
- Do not use harsh detergents, bleach, cream cleaners or citrus based cleaners. These substances are abrasive and will damage the surface.
- Do not use undue pressure and wipe in one direction only.



We aim to ensure that specifications are correct at the time of publication. All measurements are shown in millimetres. Always use measurements of actual product received for final specification as the technical drawing may contain differences. Due to printing limitations, physical colour may vary from the image shown. Fienza reserves the right to make modifications without prior notice.