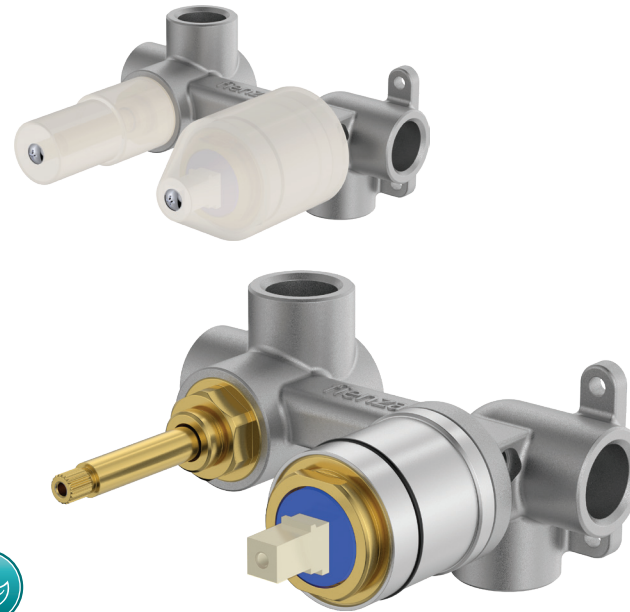


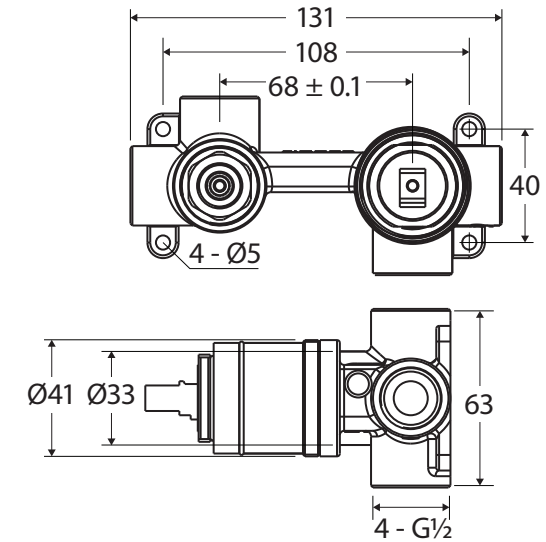
Universal WALL DIVERTER MIXER BODY HORIZONTAL

Features

- Adjustable set out for flexibility during installation
- Protective caps to prevent damage during wall construction
- Use with high quality Empire Slim front-of-wall dress kit finishes
- High quality European cartridge (35 mm)
- Made from lead free stainless steel



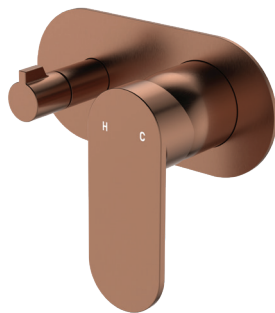
Lead Free



Available in



Body Only
230019-SS



Specifications

Mixer Type	35 mm cartridge
Operating Pressure	Min: 150 kPa / 1.5 bar Max: 500 kPa / 5 bar Optimum: 350 kPa / 3.5 bar
Operating Temperature	Hot: Max 80°C Cold: Min. 5°C
Inlet Connections	½" BSPP
Suitable Hot Water Units	Storage tank and continuous flow only. Not suitable for gravity feed.



We aim to ensure that specifications are correct at the time of publication. All measurements are shown in millimetres. Always use measurements of actual product received for final specification as the technical drawing may contain differences. Due to printing limitations, physical colour may vary from the image shown. Fienza reserves the right to make modifications without prior notice.