

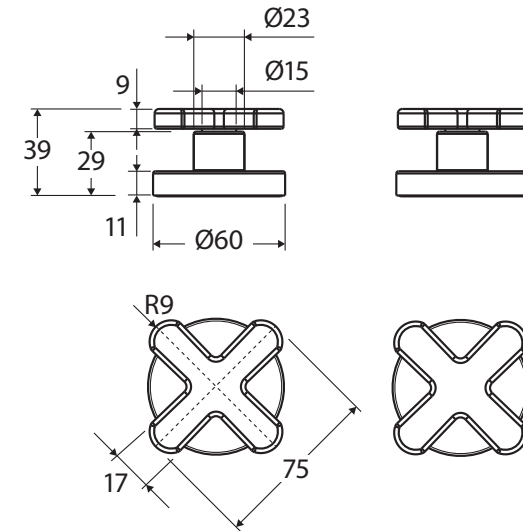
## Kaya® CROSS WALL TAPS, DRESS KIT

### Features

- Universal Wall Tap Hold/Cold Spindle Set required (230024-LF sold separately)
- Use with high quality front-of-wall Kaya Wall Sets
- Contra-rotating outwards taps with concealed back plates
- ¼ turn ceramic discs
- Made from lead-free brass\*

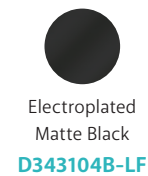
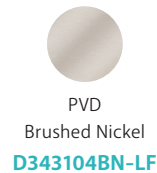
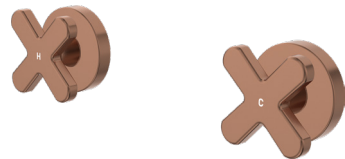
**Please note:** This product may have a visible Fienza or Watermark logo.

\*Defined as containing less than 0.25% lead.



Lead Free\*

### Available in



### Cleaning & Care

- Regularly clean with mild soapy water using a microfibre cloth.
- In highly polluted or coastal locations, we recommend cleaning 2-3 times per week.
- Do not use harsh detergents, bleach, cream cleaners or citrus based cleaners. These substances are abrasive and will damage the surface.
- Do not use undue pressure and wipe in one direction only.



We aim to ensure that specifications are correct at the time of publication. All measurements are shown in millimetres. Always use measurements of actual product received for final specification as the technical drawing may contain differences. Due to printing limitations, physical colour may vary from the image shown. Fienza reserves the right to make modifications without prior notice.